

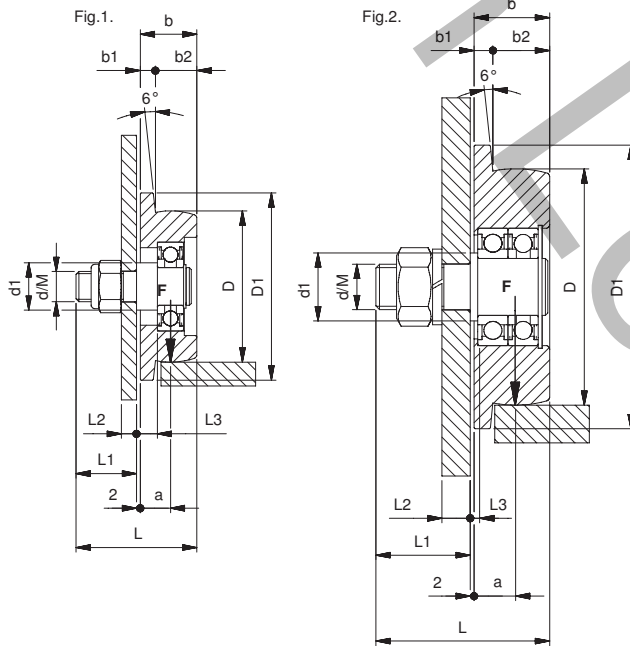
Components | Wheels / Single flange

Features:

- Capacities from 150 - 6.400 Kg
- Heavy duty single flange wheels available from our trolley program, steel C45
- Fully enclosed 2RS bearings, life time lubricated
- Number of bearings: 1 off (Fig. 1) or 2 off (Fig. 2)
- Electric galvanized up till 125/150 model (Fig. 1)
- For flat and angular beam flanges
- Available for manual and motor driven trolleys and cranes

Optional:

- Also available in stainless steel, Aluminum Bronze CUAL10NI
- Other materials on request
- High temperature executions
- Custom built wheels for replacement or special applications
- Drive pinions and other components available on request



Technical information:

Do you need a special design or replacement for an existing Construction ? Feel free to contact us for more information. Technical assistance will be provided to find a correct solution for your specific needs.

Components / Wheels / Single Flange (Art. group 85400)																											
Max. Load. KN	D	D1	d/M	d1	b	b1	b2	a	L	L1	L2		L3	m	Z	Bearing 2RS	Bearing - KN		Fn N/KN	Mass. Kg.	Push 85400.. Art. Nr.	Push Price €	Geared 85400.. Art. Nr.	Geared Price €	Shaft 85400.. Art. Nr.	Shaft Price €	
											Min.	Max.					Cr. Dyn.	Co. Stat.									
FIG. 1	1.5	45	60	10	15	20	5	15	13,5	43	21	4	10	9.5	-	-	1x6000	3.5	2.0	32	0.3	..00601		-		..00603	
	3	60	75	12	20	25	7	18	16	52	25	6	12	10.5	3	23	1x6202	5.9	3.5	25	0.6	..01101		..01102		..01103	
	6	80	100	16	25	30	8	22	18	64	32	8	15	11	3	31	1x6204	9.8	6.2	20	1.2	..02201		..02202		..02203	
	9	100	120	20	35	35	10	25	21	76	39	10	18	13	3	38	1x6206	15.0	10.0	17	2.1	..03301		..03302		..03303	
	13	125	150	24	40	40	10	30	24	87	45	12	20	15.5	3	48	1x6207	19.7	13.6	14	3.5	..05201		..05202		..05203	
FIG. 2	8	80S	100	16	25	30	8	22	18	68	36	10	20	4	3	31	2x6203	14.7	8.8	20	1.3	..03201		..03202		..03203	
	16	125S	150	24	40	40	10	30	24	92	50	15	25	4	3	48	2x6206	30.0	20.0	14	4.0	..06401		..06402		..06403	
	26	160	190	30	45	50	15	35	27,5	112	60	20	30	7	4	45	2x6207	39.4	27.2	11	9.0	..10401		..10402		..10403	
	31	160S	190	30	45	50	15	35	27,5	112	60	20	30	7	4	45	2x6208	50.2	35.6	11	9.5	..12401		..12402		..12403	
	51	200	240	36	55	70	20	50	38,5	147	75	25	35	9	4	58	2x6309	74.2	52.6	9	17	..16401		..16402		..16403	
	64	200S	240	36	60	70	20	50	38,5	152	80	30	40	9	4	58	2x6310	95.0	71.4	9	17.5	..25401		..25402		..25403	