

Hoist | Electrical Chain hoist & Combinations II

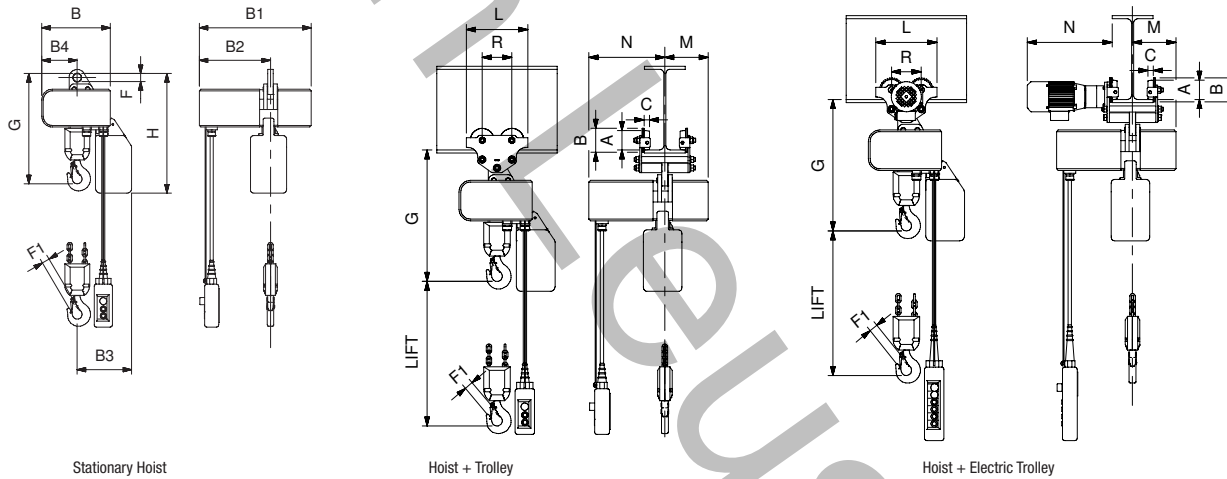
Features:

- Capacities 3.200 - 5.000 - 6.300 Kg
- Available as Stationary hoist as well as complete hoist/trolley unit combined with HD3C Trolley
- Optimized solution, high quality standards combined in one combopack
- Compact design, very low in weight
- Silent design by gearboxes with helical geared wheels, smooth and silent chain guiding
- Including chain container
- Integrated slipping clutch, against overload
- Electric Trolleys with double speed motor 5/20 m/min, excl. travel limit switches
- Motors IP55, ISO F, 400 V, 3 Ph 50 Hz

- Control voltage 48 V, with control push button pendant, suspended from hoist
- Temperature class -20°C...+40°C

Optional:

- Alternative supply voltage
- Power supply to unit by cabling on Festoon system
- Power supply to unit by multi conductor system
- Terminal box for connection to power supply point
- Main switch at the end of power supply line
- IP56/66 protection for motors
- Special paint system for maritime application
- Stainless steel load chain (reduced capacity)



Hoist / Electric driven chain hoists & combinations type II (Art. group 89101)																																		
Hoist										Hoist + Trolley							Hoist + Electric Trolley																	
Capacity Kg.	No. Of Falls	Lifting Speed m/min	FEM 9,511 ISO 4301	Lifting Height Standard	Art. No. 89101..	Dimensions								Trolley Type	Beamwidth min-max mm	Dimensions							Trolley Type	Beamwidth min-max mm	Dimensions									
						B	B1	B2	B3	B4	G	F	F1			H	G	A	B	C	N	M			R	L	G	A	B	C	N	M	R	L
3.200	2/1	4,0 / 1,0	18m	3 mtrs	..32001	304	496	315	240	158	517	36	33	699	33 KN	90-143	607	100	120	25	315	181	144	300	33 KN	90-143	607	100	120	25	325	181	144	300
						149-203	149-203																											
						203-254	203-254																											
						251-305	251-305																											
5.000	2/1	4,0 / 1,0	1Am	3 mtrs	..50001	349	522	316	312	154	643	41	41	711	52 KN	106-156	760	125	150	30	316	206	174	375	52 KN	106-156	760	125	150	30	345	206	174	375
						160-210	160-210																											
						210-260	210-260																											
						255-305	255-305																											
6.300	2/1	3,2 / 0,75	18m	3 mtrs	..63001	349	522	316	312	154	643	41	41	711	64 KN	106-156	760	125	150	30	316	206	174	375	64 KN	106-156	760	125	150	30	345	206	174	375
						160-210	160-210																											
						210-260	210-260																											
						255-305	255-305																											

Hoist					Hoist Prices €				Hoist + Trolley prices €					Hoist + Electric trolley prices €								
Capacity Kg.	No. Of Falls	Lifting Speed m/min	FEM 9,511 ISO 4301	Lifting Height Standard	Art. No. 89101..	Basic Hoist	Top Hook	6 mtrs Lift	Limit switch Hoisting	Trolley Type	Beamwidth min-max mm	Basic Unit Push	Basic Unit Geared	6 mtrs Lift	Towing arm power	Trolley Type	Beamwidth min-max mm	Basic Unit Electric	6 mtrs Lift	Travel Limit Switches	Towing arm power	
3.200	2/1	4,0 / 1,0	18m	3 mtrs	..32001					33 KN	90-143					33 KN	90-143					
											149-203						149-203					
											203-254						203-254					
											251-305						251-305					
5.000	2/1	4,0 / 1,0	1Am	3 mtrs	..50001					52 KN	106-156					52 KN	106-156					
											160-210						160-210					
											210-260						210-260					
											255-305						255-305					
6.300	2/1	3,2 / 0,75	18m	3 mtrs	..63001					64 KN	106-156					64 KN	106-156					
											160-210						160-210					
											210-260						210-260					
											255-305						255-305					