

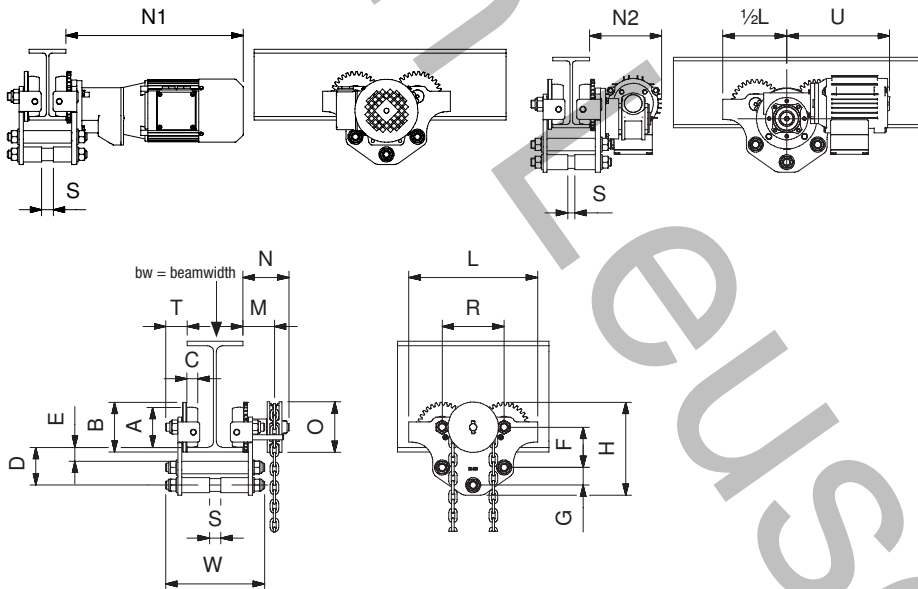
Trolleys | Transport of persons / EN1808

Features:

- Capacities 320-4.000 Kg
- Capacity including persons and materials
- According to EN 1808 every trolley load tested and stamped
- Trolleys for transport of persons are always designed for fixed beam
- Electric galvanized chassis and wheels up to 64 kN model. Suspension bolts with zinc primer
- Models 84 kN and higher, standard surface treatment, 2 layer Alkyd paint 80 µm, RAL7021
- Trolley wheels with life time lubricated bearings
- Wheel break supports and anti-tilt device integrated

Optional:

- Triangular suspension safety plate with lugs for hoisting line and safety line
- Rubber buffers on trolley
- Special side plates to increase dimension "E"
- Stainless steel name plates
- Electric trolleys:
 - Switch box with 2 relays for trolley drive
 - Necessary counterweight if applicable
 - Limit switches, mounted on trolley, excl. cabling
- Non corrosive treatments, special surface protection for aggressive environments, outdoor applications, offshore & marine environments. Reference to page 42 of this catalogue for detailed application information



Technical information:

- 1) For curved beams always contact us or your local Agent
- 2) N1 for Single speed motor 1V
- 3) Max. INP profile restriction for 11kN = INP300, 22kN = INP360, 33 kN = INP400, 52/64 kN = INP450.

For a suitable technical and commercial proposal, please contact us or your local agent.

Trolleys / Transport of persons / EN1808 (Art. group 81700-82700)																						
Capacity Kg.	Hoist Mass. Max. Kg.	Chassis Type	Beam Width Fixed "bw" mm.	R(min). Radius Beam mm.	Dimensions																	
					A	B	C	L	H	W	R	D	E	F	G	N	M	O	T	N1 2)	N2	U
320	120	11 kN	fixed	1500	60	75	18	190	150	bw+70	99	60	20	60	30	90	65	100	40	-	-	-
630	250	22 kN	fixed	1600	80	100	22	255	195	bw+85	123	75	27	80	35	90	65	100	50	320	150	235
1.000	150	33 kN	fixed	2000	100	120	25	300	235	bw+105	144	90	35	100	40	95	70	100	55	325	175	245
1.600	300	52 kN	fixed	2900	125	150	30	375	295	bw+120	174	117	40	120	60	130	100	135	65	345	190	275
2.000	200	64 kN	fixed	2900	125	150	30	375	300	bw+120	174	117	40	120	60	130	100	135	65	345	210	275
2.500	550	84 kN	fixed	3500	160	190	35	450	365	bw+150	220	145	45	145	80	135	115	270	80	370	210	285
3.200	600	104 kN	fixed	3500	160	190	35	450	370	bw+150	220	145	45	145	80	135	115	270	80	420	210	285
4.000	150	124 kN	fixed	3500	160	190	35	450	375	bw+150	220	145	45	145	80	135	115	270	80	420	210	285