

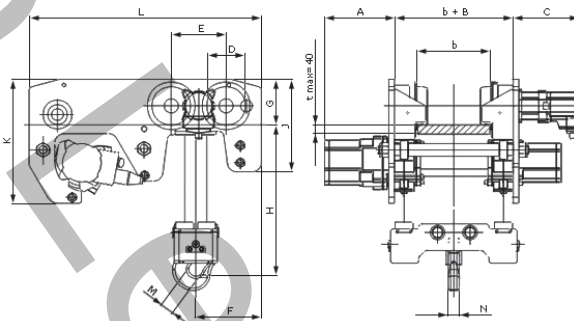
# Air Hoist | Profi UH / Ultra low Monorail Hoists / Heavy Duty

## Features:

- Capacities 250 Kg - 16.000 Kg
- Motor driven trolleys in standard geared motors or with Rack and pinion drive systems.
- Suitable for application in Hazardous areas
- Sensitive infinitely variable speed control for the precise positioning of loads
- Frequent switching and extended duty cycles
- Fail safe starting, low maintenance vane motor
- Planetary gearbox with high grade steel gears
- Low headroom, Light Weight
- Insensitive to dust, humidity and temperatures ranging from -20°C...+70°C
- Low sound emissions

## Optional:

- Different options of control, cord control, pendant control, E-type robust control.
- Air service units, Filter, Regulator
- Chain box
- Offshore coating
- Testing
- Spark resistant packages
- Power supply systems by Spiral hose, energy chain or c\_rails with hose trolleys.



## Technical information:

Where Load have to be lifted and transported in extremely reduced spaces the PROFI Ultra low Monorail Hoists provide the ideal solution.

Explosion Classification ATEX 94/9/ EEC:

- 1) Standard: EX II 2GD IIA T4(X) / EX II 3GD IIB T4(X)
- 2) With increased spark protection: EX II GD IIC T4(X)

Ultra Low Headroom Monorail Air Hoist units PROFI UH													
Type		UH 4	UH 6	UH 8	UH 12	UH 16	Dimensions						
Carrying capacity	t	4	6	8	12	16	A	mm	195	305	195	305	305
Number of chain strands		2	2	4	4	4	B	mm	200	200	200	200	200
Engine output	kW	2,5	2,5	2,5	2,5	2,5	C	mm	284	284	284	284	284
Air pressure	bar	6	6	6	6	6	D	mm	165	165	165	165	165
Lifting speed at full load	m/min	3	2	1,4	0,9	0,65	E	mm	236	236	236	236	236
Lifting speed without load	m/min	6	4,5	2,9	2,2	1,2	F	mm	330	330	283	283	283
Lowering speed at full load	m/min	7,5	5,2	3,6	2,5	1,5	G	mm	197,5	197,5	197,5	197,5	197,5
Air consumption Lifting -full load-	m³/min	4	4	4	4	4	H min, 150 ≤ b ≤ 310	mm	230	230			
Air consumption Lowering -full load-	m³/min	5,5	5,5	5,5	5,5	5,5	H min, 150 ≤ b ≤ 230	mm	-	-			
Air connection		G ¾	G ¾	G ¾	G ¾	G ¾	H min, 230 ≤ b ≤ 310	mm			276	276	315
Hose dimension (Ø inside / Ø outside)	mm	19/31	19/31	19/31	19/31	19/31	J	mm	400	400	400	400	400
Weight at standard lift without control	Kg	460	470	540	550	560	K	mm	535	535	535	535	535
Chain dimension	mm	13 x 36	13 x 36	13 x 36	13 x 36	13 x 36	L	mm	1000	1000	1000	1000	1000
Weight of 1 m chain	Kg	3,8	3,8	3,8	3,8	3,8	M	mm	40	40	44	44	53
Standard lift	m	3	3	3	3	3	N	mm	51	51	66	66	82
Length of control at standard lift	m	2	2	2	2	2							

