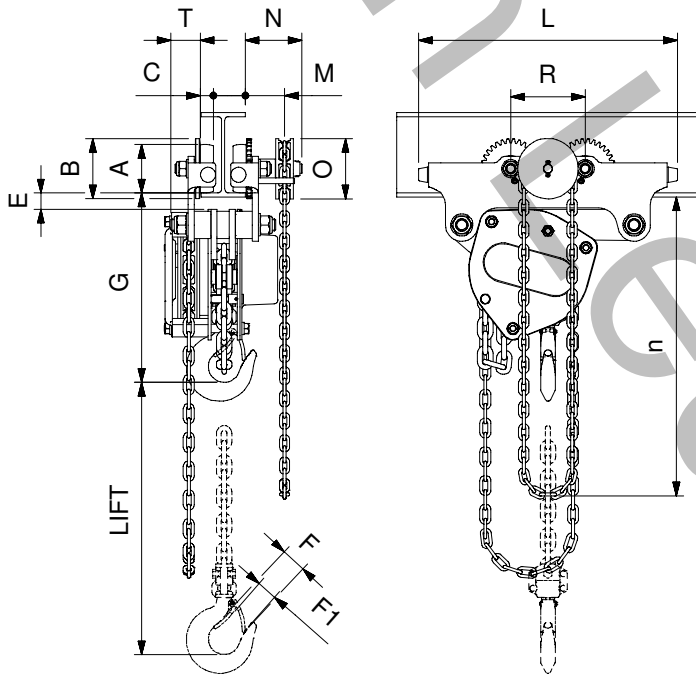
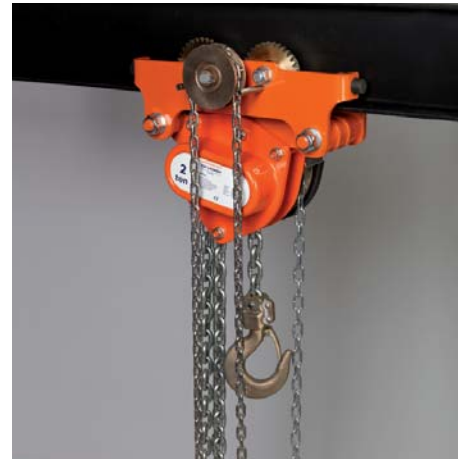


# Low headroom / Explosion protected

- Explosion protected model in **High** execution suitable up till Ex Class Ex II 2 G IIC T3 (Zone 1)
- Non Sparking protection of fast moving mechanical contact parts of the hand chain movements and internal fast moving hoist parts, extended with bronze trolley wheels, non sparking top and load hook and stainless steel non sparking hand chain. (Reduced capacity)

### Optional:

- Stainless steel name plate
- Overload protection
- Temperature class T4 will be observed separately for each project



### Technical information:

- 1) For curved beams always contact us or your local Agent
- 2) Non corrosive treatments, special surface protection for aggressive environments, outdoor applications, offshore & marine environments. Reference to page 42 of this catalogue for detailed application information.
- 3) Max. INP profile restriction for 6 KN = INP220, 11KN = INP300, 22KN = INP360, 33 KN = INP400, 52/64 KN = INP450

## HIGH

Hoist-Trolley units / Hand driven / Low headroom / Explosion Protected ATEX HIGH																											
Capacity Kg.	Head Room G	No. off Falls	Trolley Chassis Type	Fixed for beam width in range mm.	Dimensions															Weight Kg. 3 mtr	Hoist / trolley Push (3 mtrs) ATEX HIGH 83940		Hoist / trolley Geared (3 mtrs) ATEX HIGH 83945		Hoist Loadchain Lifting height Price / m €	Hoist & trolley Handchain Control height Price / m €	Overload Protection Price €
					A	B	C	E	F	F1	R	T	L	M	N	O	n	Art. Nr.	Price €		Art. Nr.	Price €					
500	210	1	6 KN	55-300	45	60	15	15	30	24	75	33	285	-	-	-	-	12	..-00600		-						
1.000	245	1	11 KN	55-300	60	75	18	20	36	29	99	42	345	65	90	100	2.5m	22	..-01100		..-01100						
1.250	315	1	22 KN	74-300	80	100	22	27	42	34	123	49	430	65	90	100	2.5m	40	..-02200		..-02200						
2.000	370	1	33 KN	90-300	100	120	25	35	48	39	144	59	505	70	95	100	2.5m	60	..-03300		..-03300						
3.750	475	3	52 KN	106-300	125	150	30	40	56	47	174	65	640	100	130	135	2.5m	75	..-05200		..-05200						

Remark: These units will be manufactured on a fixed beamwidth in the range as specified in the table.

