



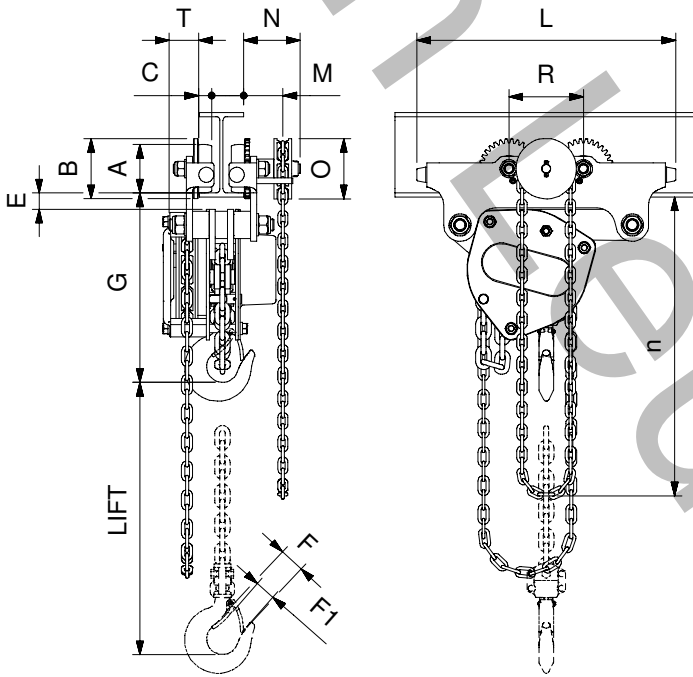
# Hoist-Trolley units | Hand driven /



### Features:

- Capacities 500- 5.000 Kg in low headroom execution
- Suitable for narrow spaces and low headroom applications
- Low in weight, compact design
- Low pulling force on the hand chain
- The hoist has double safety pawl, safe and sure brakes
- Trolley manufactured for fixed beamwidth in different ranges
- Trolley standard surface treatment, 2 layer Alkyd paint 80 µm, orange colour RAL2008
- Hoist unit powder coating, orange colour RAL2008
- Trolley wheels with life time lubricated bearings
- Wheel break supports and anti-tilt device integrated

- Explosion protected model in **Basic** execution suitable up till Ex Class Ex II 3 G IIB T3 (Zone 2)
- Non Sparking protection of fast moving mechanical contact parts of the hand chain movements and internal fast moving hoist parts
- Hoist with electric galvanized chains
- Explosion protected model in **Medium** execution suitable up till Ex Class Ex II 2 G IIB T3 (Zone 1) Non Sparking protection of fast moving mechanical contact parts of the hand chain movements and internal fast moving hoist parts, extended with non sparking top and load hook. Hoist with electric galvanized chains



### Technical information:

- 1) For curved beams always contact us or your local Agent
- 2) Non corrosive treatments, special surface protection for aggressive environments, outdoor applications, offshore & marine environments. Reference to page 42 of this catalogue for detailed application information.
- 3) Max. INP profile restriction for 6 KN = INP220, 11KN = INP300, 22KN = INP360, 33 KN = INP400, 52/64 KN = INP450

## BASIC / MEDIUM

Hoist-Trolley units / Hand driven / Low headroom / Explosion Protected ATEX BASIC/MEDIUM																															
Capacity Kg.	Head Room G	No. off Falls	Trolley Chassis Type	Fixed for beam width in range mm.	Dimensions															Weight Kg. 3 mtr	Hoist / trolley Push (3 mtrs) ATEX BASIC 83840		Hoist / trolley Push (3 mtrs) ATEX MEDIUM 83850		Hoist / trolley Geared (3 mtrs) ATEX BASIC 83845		Hoist / trolley Geared (3 mtrs) ATEX BASIC 83855		Hoist Loadchain Lifting height Price / m €	Hoist & trolley Handchain Control height Price / m €	Overload Protection Price €
					A	B	C	E	F	F1	R	T	L	M	N	O	n	Art. Nr.	Price €		Art. Nr.	Price €	Art. Nr.	Price €	Art. Nr.	Price €					
500	210	1	6 KN	55-300	45	60	15	15	30	24	75	33	285	-	-	-	-	12	..-00600	..-00600	-	-									
1.000	245	1	11 KN	55-300	60	75	18	20	36	29	99	42	345	65	90	100	2.5m	22	..-01100	..-01100	..-01100	..-01100									
2.000	455	1	22 KN	74-300	80	100	22	27	42	34	123	49	430	65	90	100	2.5m	40	..-02200	..-02200	..-02200	..-02200									
3.200	370	1	33 KN	90-300	100	120	25	35	48	39	144	59	505	70	95	100	2.5m	60	..-03300	..-03300	..-03300	..-03300									
5.000	475	3	52 KN	106-300	125	150	30	40	56	47	174	65	640	100	130	135	2.5m	75	..-05200	..-05200	..-05200	..-05200									

Remark: These units will be manufactured on a fixed beamwidth in the range as specified in the table.