

Hoist-Trolley units | Electrical rack & pinion drive Type II

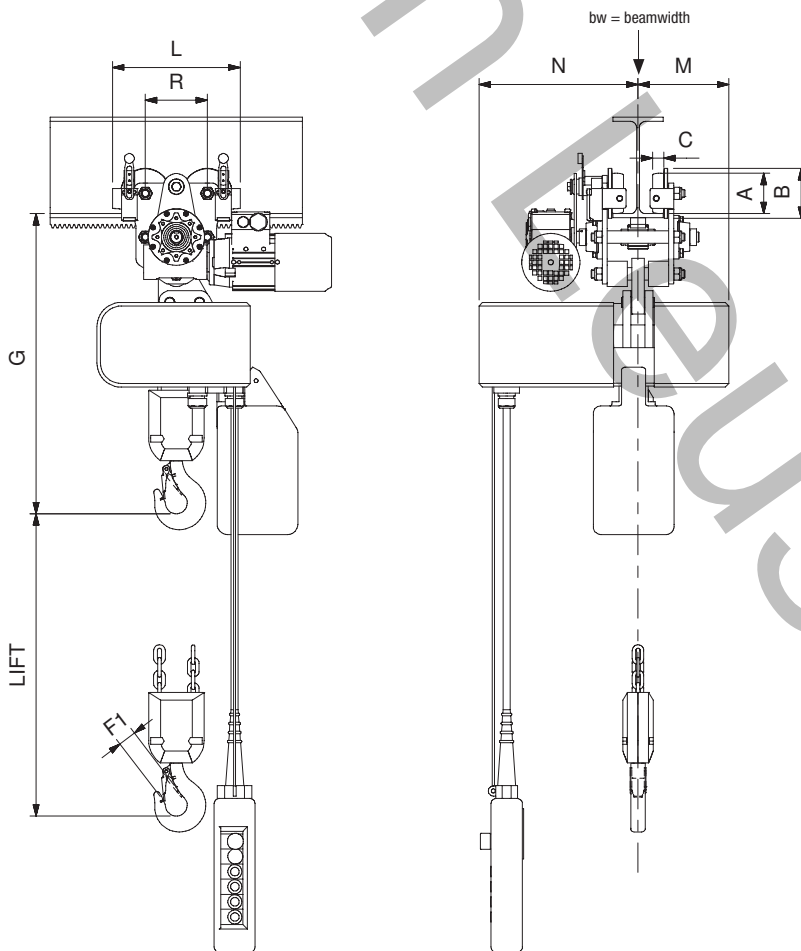
Features:

- Capacities 3.200 - 5.000 - 6.300 Kg
- Optimized solution, high quality standards combined in one combopack.
- Silent design by gearboxes with helical geared wheels, smooth and silent chain guiding
- Including chain container
- Integrated slipping clutch, against overload.
- The HD3C electric driven rack & pinion trolley with self braking worm geared motor has the advantage that no separate electromagnetic brake is necessary.
- Other angles available on request.
- Limit switches, mounted on trolley, excl. cabling
- Single speed design smooth acceleration and stopping

- Motor IP54, ISO F, 400/230V - 3 Ph - 50Hz
- Control voltage 48 V- with control push button pendant, suspended from hoist
- Temperature class - 20°C ... +40°C.

Optional:

- Alternative supply voltage.
- Power supply to unit by cabling on Festoon system
- Power supply to unit by multi conductor system
- Terminal box for connection to power supply point
- Main switch at the end of power supply line
- IP56/66 protection for motors
- Rubber buffers on trolley
- Load test, with certificate.



Technical information:

- 1) Curved beam possible. For curved beams always contact us or your local Agent
 - Trolleys suitable for curved beams are executed with a guide roller set if necessary
 - Details to be provided with order.
- 2) Non corrosive treatments, special surface protection for aggressive environments, outdoor applications, offshore & marine environments. Reference to page xx of this catalogue for detailed application information.
- 3) Max. INP profile restriction for 33KN = INP400, 52/64 KN = INP450.

83725 Hoist-Trolley units / Electrical / Rack & Pinion type II																										
Hoist						Hoist + Trolley								Rack and Pinion Max. 2°					Rack and Pinion Max. 5°							
Capacity Kg.	No. Of Falls	Lifting Speed m/min	FEM 9,511 ISO 4301	Lifting Height Standard	Art. No. 89101..	Trolley Type	beam-width "bw" mm	G	A	B	C	N	M	R	L	Basic Unit Price €	6 mtrs Lift Price €	Limit Switches Hoisting Price €	Travel Limit Switches Price €	Towing arm power Price €	Basic Unit Price €	6 mtrs Lift Price €	Limit Switches Hoisting Price €	Travel Limit Switches Price €	Towing arm power Price €	
3.200	2/1	4,0 / 1,0	18m	3 mtrs	..32001	33 KN	fixed	820	100	120	25	315	181	144	300											
5.000	2/1	4,0 / 1,0	1Am	3 mtrs	..50001	52 KN	fixed	865	125	150	30	316	206	174	375											
6.300	2/1	3.2/0.75	18m	3 mtrs	..63001	64 KN	fixed	885	125	150	30	316	206	174	375											