



Hoist-Trolley units | Electrical rack & pinion drive Type I



Features:

- Capacities 500 - 1.000 - 2.000 Kg in standard execution
- Optimized solution, high quality standards combined in one combopack
- Compact design, very low in weight
- Silent design by gearboxes with helical geared wheels, smooth and silent chain guiding
- Including chain container
- Integrated slipping clutch, against overload
- The HD3C electric driven rack & pinion trolley with self braking worm geared motor has the advantage that no separate electromagnetic brake is necessary.
- Other angles available on request
- Limit switches, mounted on trolley, excl. cabling

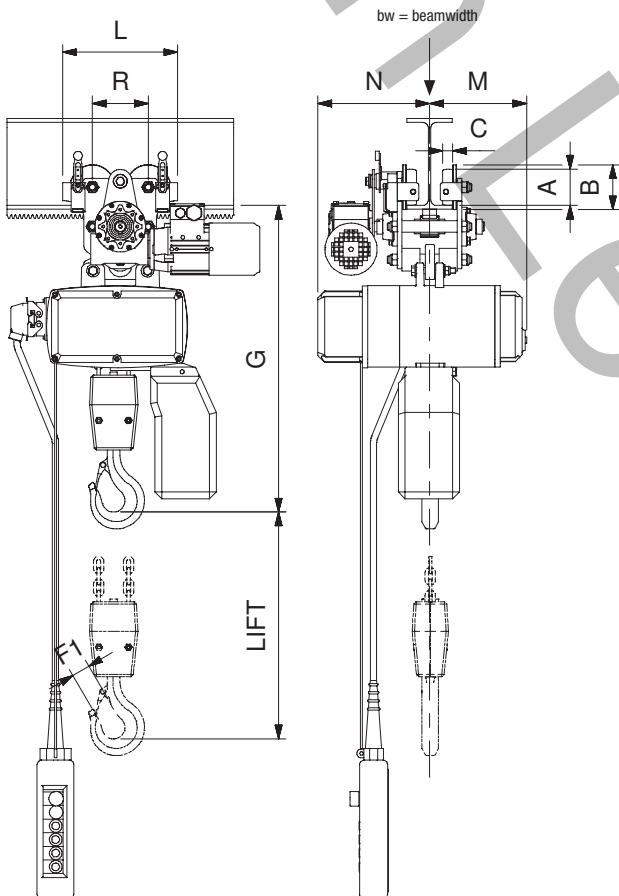
- Single speed design smooth acceleration and stopping
- Motor IP54, ISO F, 400/230V - 3 Ph - 50Hz
- Control voltage 48 V- with control push button pendant, suspended from hoist
- Temperature class -10° ... +40°C

Optional:

- Alternative supply voltage
- Power supply to unit by cabling on Festoon system
- Power supply to unit by multi conductor system
- Terminal box for connection to power supply point
- Main switch at the end of power supply line
- Rubber buffers on trolley
- Load test, with certificate

Technical information:

- 1) Curved beam possible. For curved beams always contact us or your local Agent
 - Trolleys suitable for curved beams are executed with a guide roller set if necessary
 - Details to be provided with order.
- 2) Non corrosive treatments, special surface protection for aggressive environments, outdoor applications, offshore & marine environments. Reference to page 42 of this catalogue for detailed application information.
- 3) Max. INP profile restriction for 22KN = INP360, 33 KN = INP400, 52/64 KN = INP450.



Hoist-Trolley units / Electrical / Rack & Pinion type I (Art. group 83725)																				
Hoist					Hoist + Trolley										Rack and Pinion Max. 5°					
Capacity Kg.	No. Of Falls	Lifting Speed m/min	FEM 9,511 ISO 4301	Lifting Height Standard	Art. No. 83725..	Trolley Type	Beamwidth "bw" mm min-max mm	G	A	B	C	N	M	R	L	Basic Unit 3 mtrs Lift Price €	6 mtrs Lift Price €	Limit Switches Hoisting Price €	Travel Limit Switches Price €	Towing arm power Price €
500	2/1	4,0 / 1,0	1Am	3 mtrs	..05001	22 KN	fixed	595	80	100	22	235	162	123	255					
1.000	2/1	4,0 / 1,0	1Am	3 mtrs	..01101	22 KN	fixed	595	80	100	22	235	162	123	255					
2.000	2/1	5,0 / 1,25	1Am	3 mtrs	..20001	22 KN	fixed	700	80	100	22	266	179	123	255					