

Trolleys | Electrical / Rack & pinion type

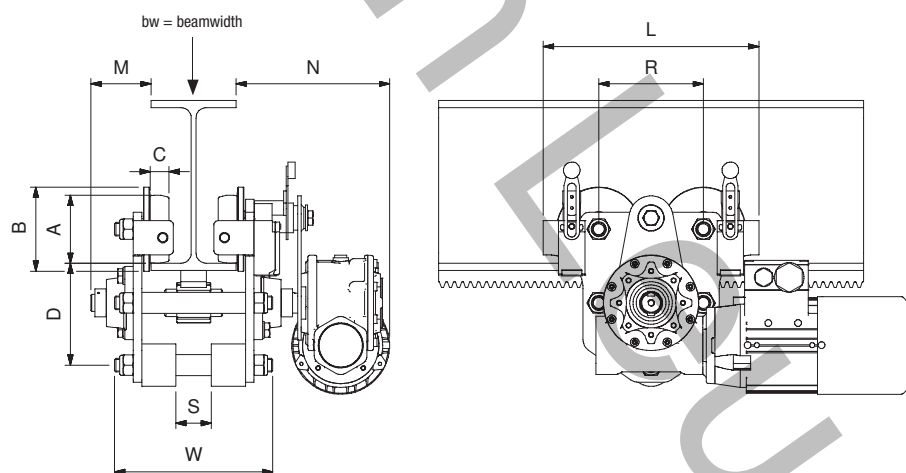
Features:

- Capacities 500 up to 12.500 Kg in standard model
- The HD3C electric driven rack & pinion trolley with self braking worm geared motor has the advantage that no separate electromagnetic brake is necessary
- The worm gear box is of a self braking type and suitable for 2 or 5 degrees list and trim
- Other angles available on request
- Combine with all types electrical chain hoists
- Delivered with motor and gearbox, without contactor controls and control box
- Limit switches, mounted on trolley, excl. cabling
- Single speed design smooth acceleration and stopping

- Motor IP54, ISO F, 400/230V - 3 Ph - 50Hz,
- Trolley manufactured for fixed beam width

Optional:

- Rubber buffers on trolley
- Switch box with relays for trolley drive for integration with hoist
- Integration with electric chain hoist unit
- Straight suspension bolt with spacers or bushings
- Load test, with certificate



Technical information:

- 1) Excl. additional counterweight (if applicable)
- 2) Curved beam possible. For curved beams always contact us or your local Agent
 - Trolleys suitable for curved beams are executed with a guide roller set if necessary
 - Details to be provided with order.
- 3) These trolleys are not suitable for manufacturing of cranes or twin driven trolleys.
- 4) Non corrosive treatments, special surface protection for aggressive environments, outdoor applications, offshore & marine environments. Reference to page 42 of this catalogue for detailed application information.
- 5) Max. INP profile restriction for 22KN = INP360, 33 KN = INP400, 52/64 KN = INP450.

Trolleys / Electrical / Rack & Pinion type (Art. group 83700)																			
Capacity Kg.	Hoist Mass Max. Kg.	Chassis Type	Beam Width fixed "bw" mm.	Dimensions										Electric Max. 2° (Incl. LS) 83700..			Electric Max. 5° (Incl. LS) 83700..		
				A	B	C	L	W	R	D	S	N	M	Modul	Art. Nr.	Price €	Modul	Art. Nr.	Price €
1.000	120	22 KN	fixed	80	100	22	255	bw+85	123	130	@	185	70	M = 3	..-01121		M = 3	..-01151	
2.000	250	22 KN	fixed	80	100	22	255	bw+85	123	130	@	185	70	M = 3	..-02221		M = 3	..-02251	
3.200	150	33 KN	fixed	100	120	25	300	bw+105	144	140	@	220	75	M = 3	..-03321		M = 3	..-03351	
5.000	300	52 KN	fixed	125	150	30	375	bw+120	174	175	@	230	80	M = 3	..-05221		M = 3	..-05251	
6.300	200	64 KN	fixed	125	150	30	375	bw+120	174	195	@	250	80	M = 3	..-06421		M = 4	..-06451	
8.000	550	84 KN	fixed	160	190	35	450	bw+150	220	240	@	265	95	M = 4	..-08421		M = 6	..-08451	
10.000	600	104 KN	fixed	160	190	35	450	bw+150	220	245	@	290	95	M = 4	..-10421		M = 6	..-10451	
12.500	150	124 KN	fixed	160	190	35	450	bw+150	220	275	@	320	100	M = 4	..-12421		M = 6	..-12451	

@ = on request

Toothtracks	Art. Nr.	Price €
M = 3 toothrack 30 / 20 mm, mat. S355, per mtr	80000-33020	
M = 4 toothrack 40 / 25 mm, mat. S355, per mtr	80000-44025	
M = 6 toothrack 50 / 30 mm, mat. S355, per mtr	80000-65030	