

# Cranes | Hand operated / Underslung crane

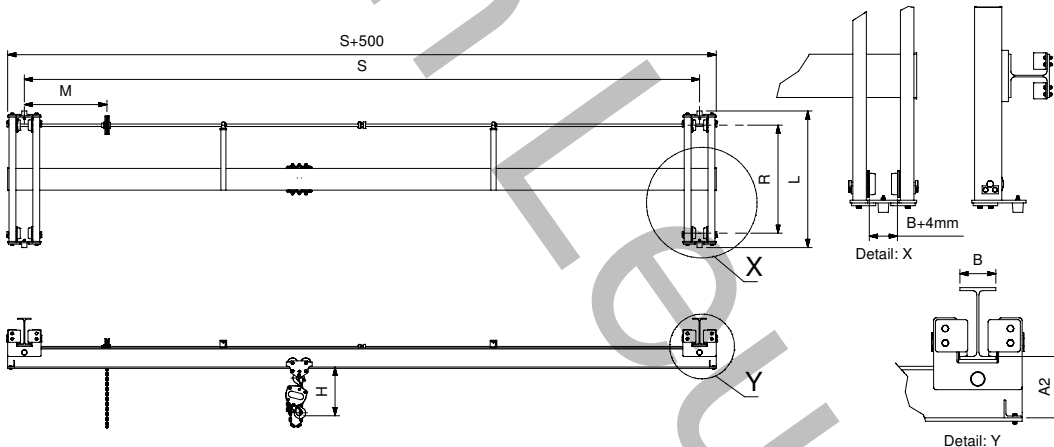
## Features:

- Van Leusden underslung cranes are available as complete cranes and as crane kits for self-construction
- Solid steel single flange wheels, suitable for all kinds of crane gantries
- Low pull force on the chain makes the crane easy to drive
- The cranes are of low maintenance type and have limited wear and tear parts
- The cranes delivered complete with: Manual geared drive, Control height 3 m, control chain, Surface protection Shot blasting + primer + top coat in RAL1007, S.W.L. Sticker, Users manual
- Crane kits for crane-constructors: A complete set of

wheel boxes, with transversal shaft, bearing blocks, hand chain wheel, hand chain, accompanied by a dimensional sketch. Shot blasted + primer, Basic welding execution, Crane girder to be welded to the wheelboxes, Crane girder to be provided by crane-constructor

## Optional:

- Wheel boxes with screw fittings to the crane girder.
- Higher capacities, double girder cranes, low headroom types
- Special surface treatment
- For suitable Hoist and Trolley units see our other catalogue pages



## Technical information:

- 1) Max. Girder deflection 1/600 of span. Mentioned values are for complete manual driven cranes.
- 2) Values mentioned between (...) are corresponding a girder deflection of 1/750 of span. This value shall be used for cranes with electric driven hoist and trolley or crane travel motions.
- 3) Maximum INP Gantry for:  $\varnothing$  80/100S = INP 360,  $\varnothing$  125/150S = INP 450

Cranes / Hand operated / Underslung crane (Art. group 86000)														
S.W.L.	S	R	L	Wheels	A2	Max. Weight. Hoist+Trolley	Max. Wheelbox load	Handchain Force	Crane 86200..	Price Crane Excl. €	Crane Kit 86250..	Price Crane kit	Screw Fittings Boltset incl.	
Kg.	m 1) 2)	mm	mm	mm	mm	Kg	KN	Kg	Art. Nr.	Hoist/Trolley	Art. Nr.	€	€	
500	- 4.10 (- 3.70)	800	1005	80/100S	150	100	7.0	10	..05001	..05001				
	- 5.25 (- 4.75)	800	1005	80/100S	170		7.6	10	..05002	..05002				
	- 6.75 (- 6.00)	800	1005	80/100S	190		7.7	10	..05003	..05003				
	- 8.25 (- 7.40)	1000	1205	80/100S	210		8.1	11	..05004	..05004				
1.000	- 3.95 (- 3.55)	800	1005	80/100S	170	105	12.3	15	..10001	..10001				
	- 5.00 (- 4.50)	800	1005	80/100S	190		12.4	15	..10002	..10002				
	- 6.00 (- 5.50)	800	1005	80/100S	210		12.5	15	..10003	..10003				
	- 7.50 (- 6.70)	1000	1205	80/100S	230		13.2	17	..10004	..10004				
2.000	- 9.10 (- 8.10)	1200	1405	80/100S	250	150	14.1	20	..10005	..10005				
	- 3.40 (- 3.10)	800	1005	80/100S	170		22.3	19	..20001	..20001				
	- 5.75 (- 5.75)	800	1005	80/100S	250		23.4	21	..20002	..20002				
	- 7.75 (- 7.00)	1000	1205	80/100S	270		24.4	23	..20003	..20003				
3.200	- 9.10 (- 8.10)	1200	1405	80/100S	290	175	25.6	24	..20004	..20004				
	- 5.50 (- 4.90)	800	1075	125/150S	230		33.8	21	..32001	..32001				
	- 6.50 (- 5.90)	1000	1275	125/150S	250		34.7	23	..32002	..32002				
	- 9.50 (- 8.80)	1400	1675	125/150S	330		36.8	25	..32003	..32003				
5.000	- 11.00 (- 9.90)	1400	1675	125/150S	350	225	38.0	27	..32004	..32004				
	- 5.00 (- 5.00)	800	1075	125/150S	270		54.3	26	..50001	..50001				
	- 6.25 (- 6.25)	800	1075	125/150S	290		55.4	27	..50002	..50002				
	- 9.20 (- 9.20)	1200	1475	125/150S	390		58.1	30	..50003	..50003				