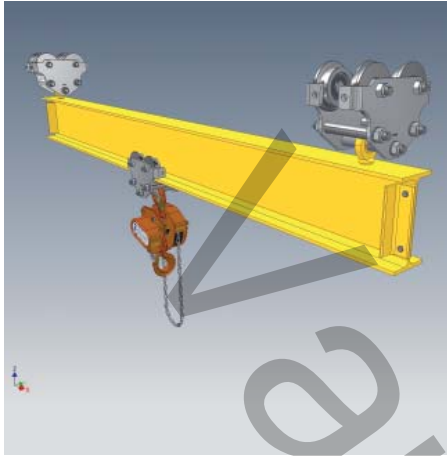




Cranes | Hand operated / Swinging beam cranes

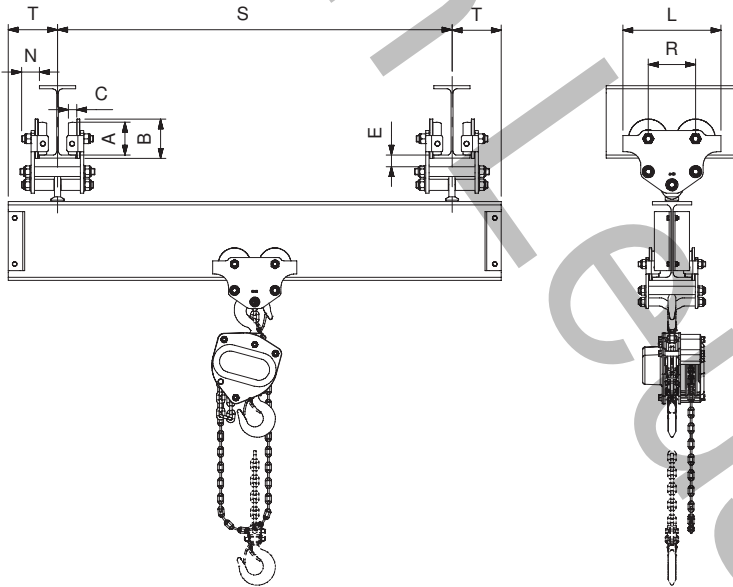


Features:

- Capacities 500 Kg - 3.200 Kg
- Smooth running across crane gantry by its flexible suspension system
- Suspension of crane girder by ball joint, which is welded to the crane girder
- Electric galvanized trolley chassis, suspension bolts and wheels
- Wheel break supports and anti-tilt device integrated
- Crane girder Surface protection Shot blasting + primer + top coat in RAL1007
- S.W.L. Sticker

Optional:

- As loose kit components, to be assembled, trolleys delivered with mounting plates
- If welding is not possible, crane girder can be bolted to trolleys
- Rubber buffers on trolleys
- Special surface treatment
- For suitable hoist and trolleys see our other catalogue pages
- Non corrosive treatments, special surface protection for aggressive environments, outdoor applications, offshore & marine environments. Reference to page 42 of this catalogue for detailed application information



Technical information:

- 1) Pre-selected crane girder for max. span width. (Deflection 1/750 of S)
- 2) Maximum span (S) is 8 meters for all capacities.
- 3) For cranes with an outreach larger than T (see table) contact us or your local supplier
- 4) Crane gantry size to be specified with order

Cranes / Hand operated / Swinging beam cranes (Art. group 86000)																
Crane Capacity Kg	Span S 2) mm	T 3) mm	Hoist Trolley mass Kg.	Trolley type	Crane Girder 1)	Dimensions							Mass. Excl. Hoist/trolley Kg	Crane Gantry Beam Size 4)	Crane 86000 Art. Nr.	Crane Price €
						A	B	C	E	L	R	N				
500	3.400	125	100	11KN	IPE140	60	75	18	20	190	99	40	60	@	..011001	
	4.400				IPE160								90		..011002	
	5.600				IPE180								130		..011003	
	6.700				IPE200								170		..011004	
	7.700				IPE220								230		..011005	
	8.000				IPE240								270		..011006	
1.000	3.300	150	120	22KN	IPE180	80	100	22	27	255	123	50	100	@	..022001	
	4.900				IPE200								140		..022002	
	5.900				IPE220								190		..022003	
	6.900				IPE240								250		..022004	
	8.000				IPE270								330		..022005	
2.000	3.100	175	250	33KN	IPE240	100	120	25	35	300	144	60	150	@	..033001	
	4.500				IPE270								220		..033002	
	6.300				IPE300								320		..033003	
	8.000				IPE330								450		..033004	
3.200	4.800	200	150	52KN	HEB220	125	150	30	40	375	174	65	430	@	..052001	
	6.000				HEB240								590		..052002	
	8.000				HEB260								850		..052003	

@ = on request