

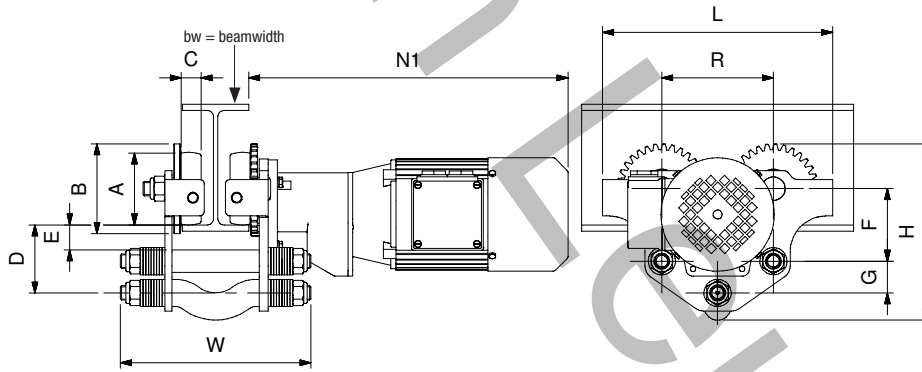
Trolleys | Electrical / Geared motor with brake

Features:

- Capacities 1.000 up to 10.000 Kg
- Helical geared motor with electromagnetic brake
- Trolley with motor and gearbox, without contactor controls and control box
- Single speeds design app. 10 m/min. in double speed 5 and 20 m/min
- Motor IP54, ISO F, 400/230V - 3 Ph - 50Hz, standard manufacturers' surface treatment
- Electric galvanized chassis, suspension bolts and wheels up to 64 KN model
- Models 84 KN and higher, standard surface treatment, 2 layer Alkyd paint 80 µm, RAL 7021

Optional:

- Rubber buffers on trolley
- Relay box for trolley drive*
- Integration with electric chain hoist unit
- Necessary counterweight if applicable
- Limit switches, mounted on trolley, excl. cabling
- Straight suspension bolt with spacers or bushings
- Special side plates to increase dimension "E"
- Load test, with certificate
- Stainless steel name plates
- Non corrosive treatments, special surface protection for aggressive environments, outdoor applications, offshore & marine environments. Reference to page 42 of this catalogue for detailed application information



Technical information:

- 1) Excl. additional counterweight (if applicable)
- 2) For curved beams always contact us or your local Agent
 - Trolleys suitable for curved beams are executed with a guide roller set.
 - Details to be provided with order.
- 3) Dimensions for Single speed motor (1V)
- 4) Max. INP profile restriction for 22KN = INP360, 33 KN = INP400, 52/64 KN = INP450.

Trolleys / Electrical / Geared motor with brake (Art. group 82500)																											
Capacity Kg.	Hoist Mass Max. Kg.	Chassis Type	Adjustable beam width min-max mm.	R(min). Radius Beam mm 2)	Dimensions											Weight Kg.	Speed 1V m/min	Trolley 82500.. 1V Art. Nr.	Trolley + Motor Price €	Relay box* 1V Price €	Speed 2V m/min	Trolley 82500.. 2V Art. Nr.	Trolley + Motor Price €	Relay box* 2V Price €	Limit switches Price €		
					A	B	C	L	H	W	R	D	E	F	G											N1 3)	
1.000	250	22 KN	74-127	1600	80	100	22	255	190	215	123	75	27	80	35	320	17	10	..-01210			5/20	..-01220				
			127-180							270									..-01211				..-01221				
			190-243							330									..-01212				..-01222				
			254-305							390									..-01213				..-01223				
2.000	250	22 KN	74-127	1600	80	100	22	255	190	215	123	75	27	80	35	320	17	10	..-02210			5/20	..-02220				
			127-180							270									..-02211				..-02221				
			190-243							330									..-02212				..-02222				
			254-305							390									..-02213				..-02223				
3.200	150	33 KN	90-143	2000	100	120	25	300	230	250	144	90	35	100	40	325	27	10	..-03310			5/20	..-03320				
			149-203							310									..-03311				..-03321				
			203-254							360									..-03312				..-03322				
			251-305							410									..-03313				..-03323				
5.000	300	52 KN	106-156	2900	125	150	30	375	290	270	174	117	40	120	60	345	45	10	..-05210			5/20	..-05220				
			160-210							325									..-05211				..-05221				
			210-260							375									..-05212				..-05222				
			255-305							420									..-05213				..-05223				
6.300	200	64 KN	106-156	2900	125	150	30	375	295	270	174	117	40	120	60	345	50	10	..-06410			5/20	..-06420				
			160-210							325									..-06411				..-06421				
			210-260							375									..-06412				..-06422				
			255-305							420									..-06413				..-06423				
8.000	550	84 KN	fixed (119 Min)	3500	160	190	35	450	360	bw+150	220	145	45	145	80	370	105	10	..-08411			5/20	..-08421				
10.000	600	104 KN	fixed (131 Min)	3500	160	190	35	450	365	bw+150	220	145	45	145	80	420	115	10	..-10411			5/20	..-10421				

* Relay Box : Terminal box with relay switching set, excl. transformer, excl. terminals, mounted on the trolley. Cable from motor to relaybox included. Pendant control switch and control cable excluded. Control voltage 24V or 48V.