

Trolleys | Electrical / Wormgeared motor

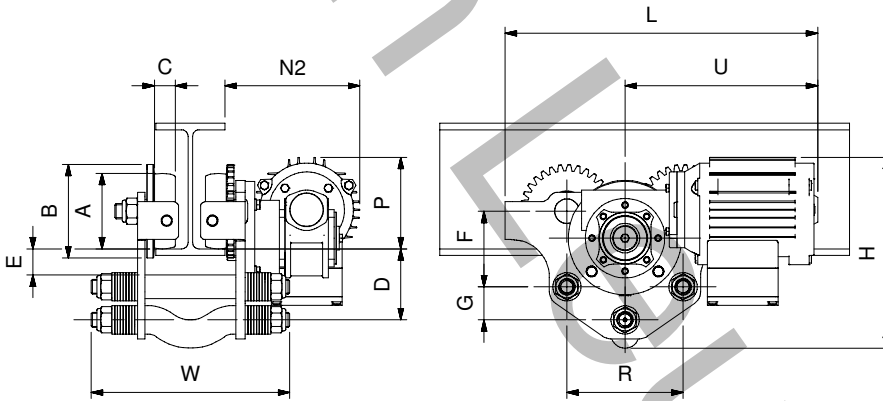


Features:

- Capacities 500 up to 6.300 Kg
- Self braking worm geared motor, no separate electromagnetic brake
- Combine with all types electrical chain hoists
- Trolley with motor/gearbox, without contactor controls and control box
- Single speed design smooth acceleration and stopping
- Motor IP54, ISO F, 400/230V - 3 Ph - 50Hz, standard manufacturers' surface treatment
- Electric galvanized chassis, suspension bolts and wheels up to 64 KN model

Optional:

- Rubber buffers on trolley
- Switch box with relays for trolley drive for integration with hoist*
- Integration with electric chain hoist unit
- Limit switches, mounted on trolley, excl. cabling
- Straight suspension bolt with spacers or bushings
- Extra suspension set for other beam range
- Special side plates to increase dimension "E"
- Load test, with certificate
- Non corrosive treatments, special surface protection for aggressive environments, outdoor applications, offshore & marine environments. Reference to page 42 of this catalogue for detailed application information



Technical information:

- 1) Excl. additional counterweight (if applicable)
- 2) For curved beams always contact us or your local Agent
 - Trolleys suitable for curved beams are executed with a guide roller set.
 - Details to be provided with order.
- 3) These trolleys are not suitable for manufacturing of cranes or twin driven trolleys.
- 4) Max. INP profile restriction for 22KN = INP360, 33 KN = INP400, 52/64 KN = INP450.

Trolleys / Electrical / Wormgeared motor (Art. group 82400)																							
Capacity Kg.	Hoist Mass Max. Kg.	Chassis Type	Adjustable beam width min-max mm.	R(min). Radius Beam mm 2)	Dimensions												Weight Kg.	Speed m/min	Trolley 82400.. Art. Nr.	Trolley + Motor Price €	Relay Box* 1V Price €	Limit Switches Price €	
					A	B	C	L	H	W	R	D	E	F	G	N2							U
1.000	250	22 KN	74-127	1600	80	100	22	365	200	215	123	75	27	80	35	150	235	105	16	10	..-01210		
			127-180							270											..-01211		
			190-243							330											..-01212		
			254-305							390											..-01213		
2.000	250	22 KN	74-127	1600	80	100	22	365	200	215	123	75	27	80	35	150	235	105	16	10	..-02210		
			127-180							270											..-02211		
			190-243							330											..-02212		
			254-305							390											..-02213		
3.200	150	33 KN	90-143	2000	100	120	25	385	245	250	144	90	35	100	40	171	245	115	23	10	..-03310		
			149-203							310											..-03311		
			203-254							360											..-03312		
			251-305							410											..-03313		
			106-156							270											..-05210		
5.000	300	52 KN	160-210	2900	125	150	30	435	290	270	174	117	40	120	60	187	275	130	39	10	..-05211		
			210-260							325											..-05212		
			255-305							375											..-05213		
			106-156							270											..-06410		
			160-210							325											..-06411		
6.300	200	64 KN	210-260	2900	125	150	30	435	295	375	174	117	40	120	60	190	275	130	41	10	..-06412		
			255-305							420											..-06413		
			106-156							270											..-06414		

* Relay Box : Terminal box with relay switching set, excl. transformer, excl. terminals, mounted on the trolley. Cable from motor to relaybox included.
Pendant control switch and control cable excluded.
Control voltage 24V or 48V.