

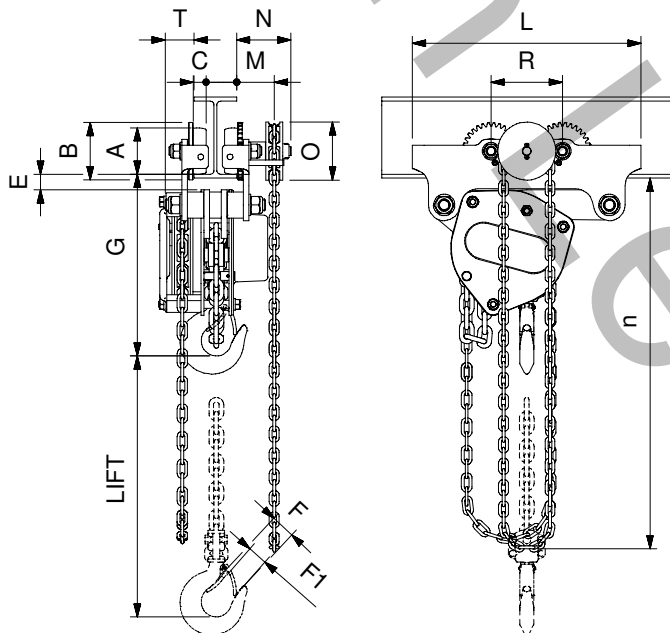
Hoist-Trolley units | Hand driven / Low headroom

Features:

- Capacities 500-5.000 Kg in low headroom execution
- Suitable for narrow spaces and low headroom applications
- Low in weight, compact design
- Low pulling force on the hand chain
- The hoist has double safety pawl, safe and sure brakes
- Trolley manufactured for fixed beamwidth in different ranges
- Trolley standard surface treatment, 2 layer Alkyd paint 80 µm, orange colour RAL2008
- Hoist unit powder coating, orange colour RAL2008
- Trolley wheels with life time lubricated bearings
- Wheel break supports and anti-tilt device integrated

Optional:

- Rubber buffers on trolley
- Load test, with certificate
- Overload protection
- Stainless Steel load chain, available on request (reduced capacity)
- Non corrosive treatments, special surface protection for aggressive environments, outdoor applications, offshore & marine environments. Reference to page 42 of this catalogue for detailed application information



Technical information:

- 1) For curved beams always contact us or your local Agent
- 2) Max. INP profile restriction for 6 KN = INP220, 11KN = INP300, 22KN = INP360, 33 KN = INP400, 52/64 KN = INP450.

Hoist-Trolley units / Hand driven / Low headroom (Art. group 81300-81400)																										
Capacity Kg.	Headroom G mm.	No. off Fals	Trolley Chassis Type	Fixed for beam width in range mm.	Dimensions													Weight Kg.	Hoist / trolley Push (3 mtrs) 81300		Hoist / trolley Geared (3 mtrs) 81400		Hoist Loadchain lifting height Price / m €	Hoist & trolley Handchain control height Price / m €	Overload Protection Price €	
					A	B	C	E	F	F1	R	T	L	M	N	O	n		3 mtr	Art. Nr.	Price €	Art. Nr.				Price €
500	210	1	6 KN	55-300	45	60	15	15	30	24	75	33	248	-	-	-	-	12	..-00600		-					
1.000	245	1	11 KN	55-300	60	75	18	20	36	29	99	42	310	65	90	100	2.5m	22	..-01100		..-01100					
2.000	315	1	22 KN	74-300	80	100	22	27	42	34	123	49	395	65	90	100	2.5m	40	..-02200		..-02200					
3.200	370	1	33 KN	90-300	100	120	25	35	48	39	144	59	455	70	95	100	2.5m	60	..-03300		..-03300					
5.000	475	3	52 KN	106-300	125	150	30	40	56	47	174	65	590	100	130	135	2.5m	75	..-05200		..-05200					

Remark: These units will be manufactured on a fixed beamwidth in the range as specified in the table.