

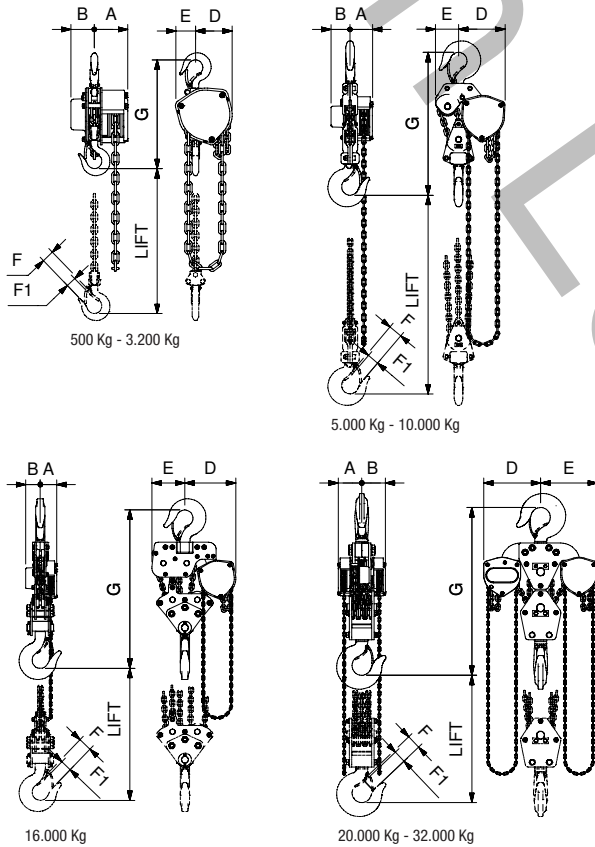
Hoists | Hand driven chain hoists

Features:

- Capacities 500-32.000 Kg. in standard execution
- Super modern, excellent combination with standard HD3C trolleys
- Compact & Low weight
- Low headroom
- Low pulling effort on the handchain
- 2 independent brake pawls to enhance safety & protection
- Automatic load brake
- Heavy duty reduction gear & load sheaves
- High safety factor

Optional:

- Integration directly into standard trolley possible to get the lowest headroom possible, see page 12
- Low and ultra low headroom types available, see page 13 & 14.
- Overload protection
- Load test, with certificate
- Stainless Steel load chain, available on request (reduced capacity)
- Non corrosive execution, with special protection by flame spraying, in ZincAl or special paint system. See page 42 for more information



Technical information

Stainless steel load chain results in a reduced capacity for the hoist. The following capacities shall be observed :

S.W.L. ton	No. of falls	Chain diam. mm	Reduced Capacity ton
0.5	1	5	0.5
1	1	6.3	1
1.6	1	7.1	1.25
2	1	7.9	1.25
3	1	10	2
5	3	7.1	3.75
10	3	10	6
16	5	10	10
20	6	10	12
25	8	10	16
32	10	10	20

Hoist / Hand chain driven hoists (Art. group 89102)																				
Capacity Kg.	Head-room G mm	Max. Pull Handchain Kg.	No. Off Falls	Chain dimension mm	Weight 3 mtrs. Lift Kg.	Dimensions						Hoist 89102.. Art. Nr.	Basic 3 mtrs. Lift Execution Price €	Load Chain per m Price €	Hand Chain per m Price €	Loadchain Stainless St. per m Price €	Handchain Stainless St. per m Price €	Overload Protection Price €	Option	
						A	B	D	E	F	F1								Protection 86610.. Art. Nr.	Non Corrosive ZincAl Price €
500	260	21	1	5	8	82	56	90	48	30	24	..-00500							..-00575	..-00585
1.000	300	24	1	6,3	10,5	83	63	100	59	36	29	..-01000							..-01075	..-01085
1.600	345	29,5	1	7,1	15	90	75	115	69	39	31	..-01600							..-01675	..-01685
2.000	380	33,5	1	7,9	21	98	85	132	82	42	34	..-02000							..-02075	..-02085
3.200	435	38	1	10	30,5	106	92	160	94	48	39	..-03000							..-03075	..-03085
5.000	575	36	3	7,1	35	90	75	188	94	56	47	..-05000							..-05075	..-05085
10.000	790	43	3	10	76	106	92	283	122	75	68	..-10000							..-10075	..-10085
16.000	1020	47	5	10	155	106	92	340	205	90	81	..-16000							..-16075	..-16085
20.000	1040	45x2	6	10	250	153	153	390	390	90	81	..-20000							..-20075	..-20085
25.000	1100	44x2	8	10	320	185	185	390	390	90	81	..-25000							..-25075	..-25085
32.000	1470	47x2	10	10	440	215	215	400	400	110	95	..-32000							..-32075	..-32085

@ = on request